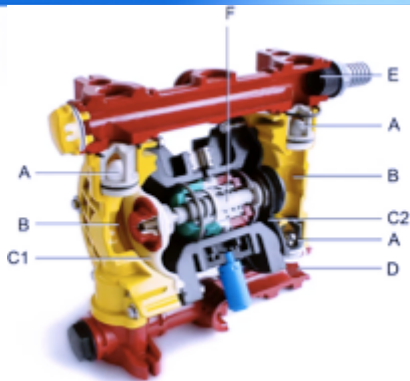
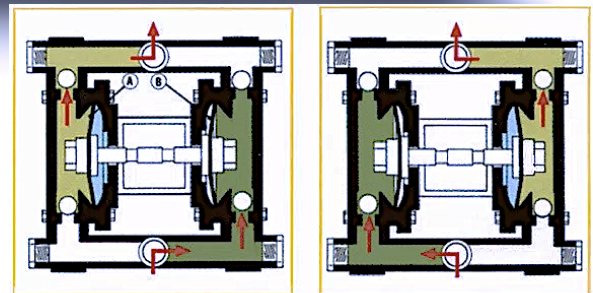




Diaphragm Pumps JP-800 And JP-810 Series



- A – Balls, balls seats, O-rings
- B – Pumping chamber
- C1 – Product-side diaphragm
- C2 – Air-side diaphragm
- D – Suction connection
- E – Delivery connection
- F – Pneumatic exchanger



Compressed air

Suction process

Delivery process

THE PUMPING PRINCIPLE OF DIAPHRAGM PUMPS is proven for decades and is suitable for most applications.

JESSBERGER with decades of experience in the pumps using different materials guarantees high reliability and durability of the pump. The different materials available are PP, PVDF, aluminum and stainless steel. In addition to a series of approval for EX Zone 2, Jessberger can also offer another version with ATEX certification for Ex Zone 1.

ACCESSORIES for air operated pumps such as hose connections, hoses and pulsation dampeners are available.

MATCHING PULSATION DAMPENERS are designed as an option to enhance the advantages of diaphragm pumps such as:

- High viscosity media have a continuous flow rate, thus provide required equalized delivery speed and quantity required.
- The dampener relieves the pump's stress and delivery efforts, also protects the piping system from fatigue and protects in-line instrumentation.
- Dosing system is much quieter.
- Pressure surges in the systems are damped or avoided.

Advantages of diaphragm pump:

- Pumping of aggressive and flammable substances, viscous liquids with solids and media containing gas • Especially suitable for use in hazardous areas (ATEX certification) • Reliable even in high humidity environment • Adjustable flow rate and head via air pressure • Suitable for continuous operation • Dry-running without problems • Dry self-priming • Three suction and delivery connections • Operation with non-lubricated air • Manifolds can be separated. Therefore two media can be pumped at the same time • Easy replacement of spare parts and maintenance by your own maintenance department.

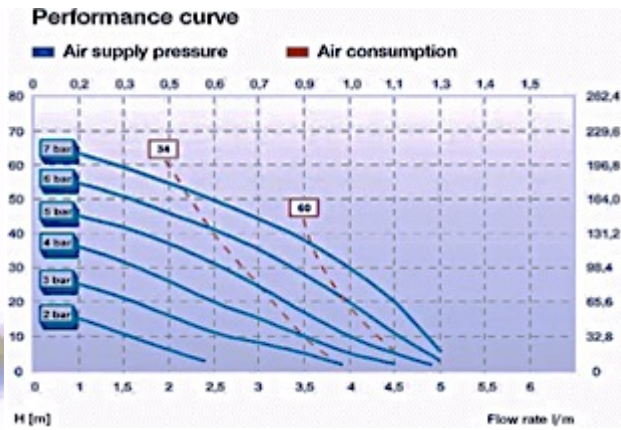
Markets served by Jessberger diaphragm pumps

JESSBERGER pumps are one of the most versatile pumps on the market with proven German technology. They are used in numerous markets:

- Automotive • Chemical Industry • Machine construction • Paints and varnishes, printing inks • Textile industry • Ceramic industry • Mining • Water treatment • Pharmaceutical and cosmetic industry • Food industry • Pulp and paper industry • Biodiesel • Oil & gas • Electroplating industry and many more...

JP-800 Series	800.50	800.16	800.17	800.30	800.50	800.90	800.91	800.150	800.220	800.340	800.341	800.650	800.850
Material	PP	PP ECTFE	PP PVDF ALU SS	PP PVDF ALU SS	PP PVDF ALU SS	SS	PP PVDF ALU	PP PVDF ALU SS	PP PVDF ALU SS	PP PVDF	ALU SS	PP PVDF ALU SS	PP PVDF ALU SS
Fluid onnection	G 1/4"	G 3/8"	G 3/8"	G 1/2"	G 1/2"	G 1"	G 1"	G 1"	G 1 1/4"	G 1 1/2"	G 1 1/2"	G 2"	G 3"
Air connection	G 1/8"	G 3/8"	G 3/8"	G 1/4"	G 3/8"	G 3/8"	G 3/8"	G 3/8"	G 1/2"	G 1/2"	G 1/2"	G 1/2"	G 3/4"
Suction lift dry (mt.)	3	2	3	6	5	6	6	5	5	6	6	4	5
Maximum flow rate (L/min)	5	17	17	30	50	100	100	150	220	340	340	650	900
Maximum head (mt.)	70	70	80	70	70	70	70	70	70	70	70	70	70
Solids (mm)	No	0.5	0.5	2	4	4	4	4	5	6	6	8	10
Operating Pressure (bar)	7	7	8	7	7	7	7	7	7	7	7	7	7

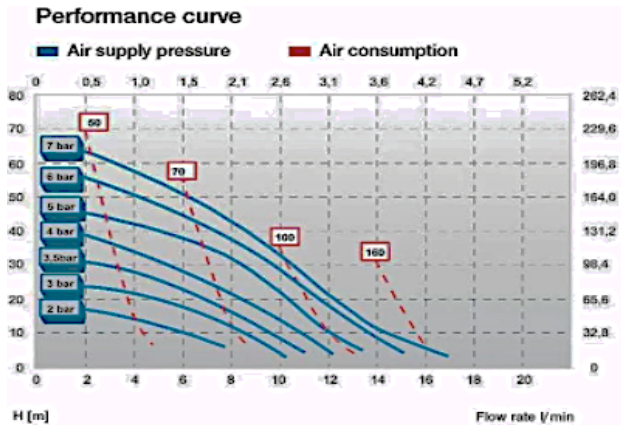
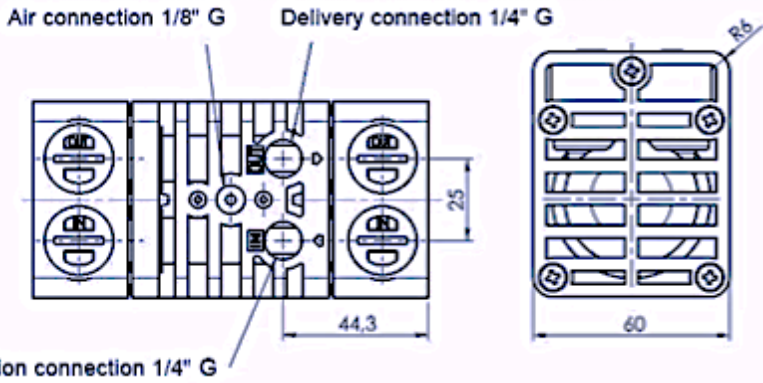
*Depending on construction materials.
All threads are female threads.
Values are approximate and not binding.



Diaphragm Pump Model JP-800.5

Technical Data

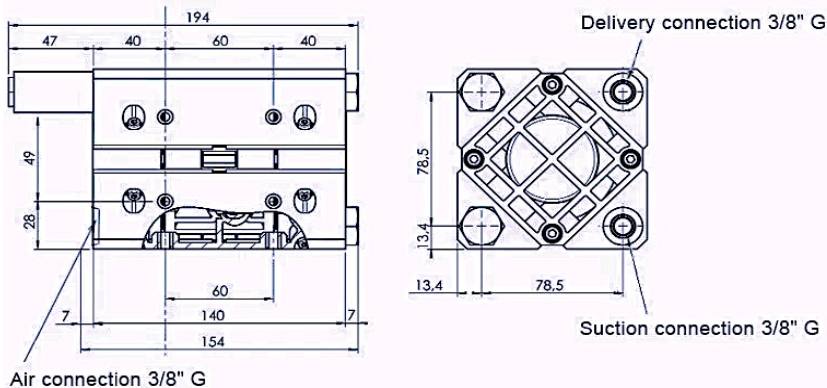
Delivery / Suction connection:	G 1/4"
Air connection:	G 3/8"
Maximum dry suction lift:	3 mt.
Maximum flow rate:	5 L/minute
Maximum head:	70 mts.
Maximum air supply pressure:	7 bar
Solids:	-
Net weight:	0.5 kg
Construction material:	PP
Pulsation dampener model (Optional)	EQUAFLUX PP

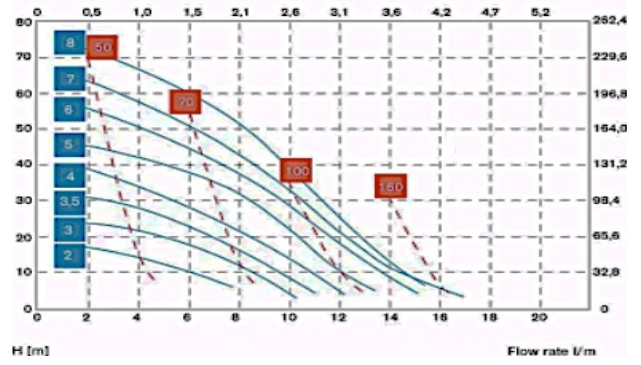


Diaphragm Pump Model JP-800.16

Technical Data

Delivery / Suction connection:	G 3/8"
Air connection:	G 3/8"
Maximum dry suction lift:	4 mt.
Maximum flow rate:	17 L/minute
Maximum head:	70 mts.
Maximum air supply pressure:	7 bar
Solids:	Maximum Ø 0.5 mm
Net weight:	1.0 / 1.5 kg
Construction material:	PP
Pulsation dampener model (Optional)	ECTFE EQUAFLUX PP EQUAFLUX PVDF



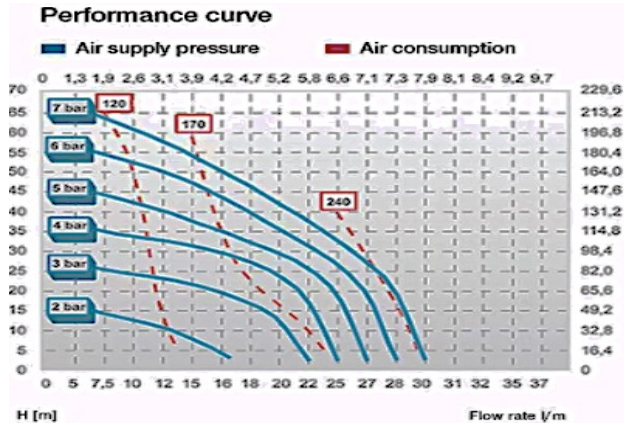
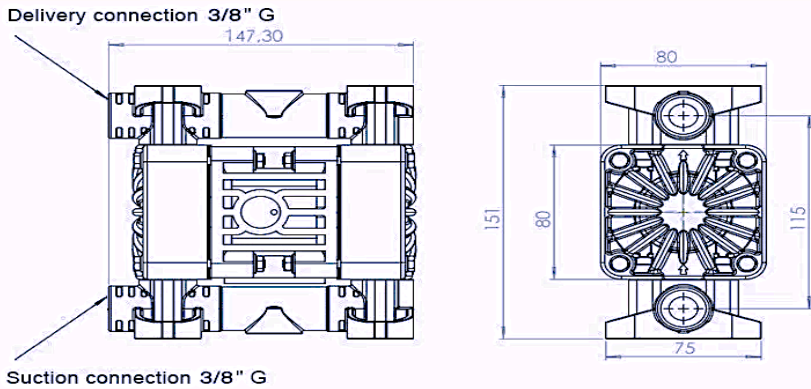


Diaphragm Pump Model JP-800.17

Technical Data

Delivery / Suction connection:	G 3/8"
Air connection:	G 3/8"
Maximum dry suction lift:	3 mt.
Maximum flow rate:	17 L/minute
Maximum head:	80 mts.
Maximum air supply pressure:	7 bar
Solids:	Maximum Ø 0.5 mm
Net weight:	1.05 / 1.05 / - / - kg
Construction material:	PP PVDF Aluminum Stainless steel

Pulsation dampener model (Optional)

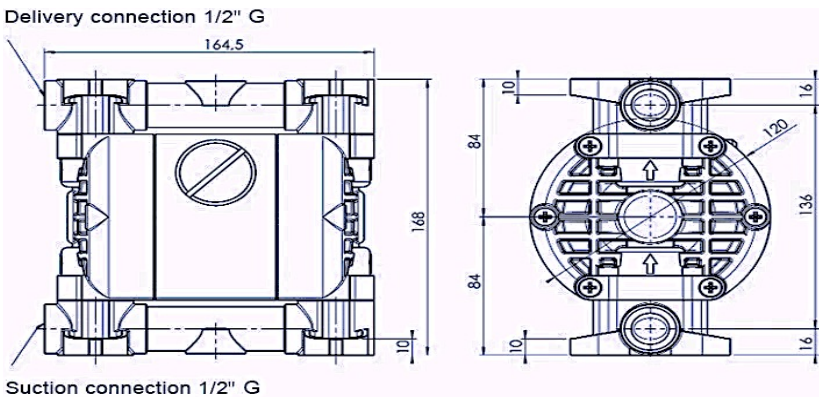


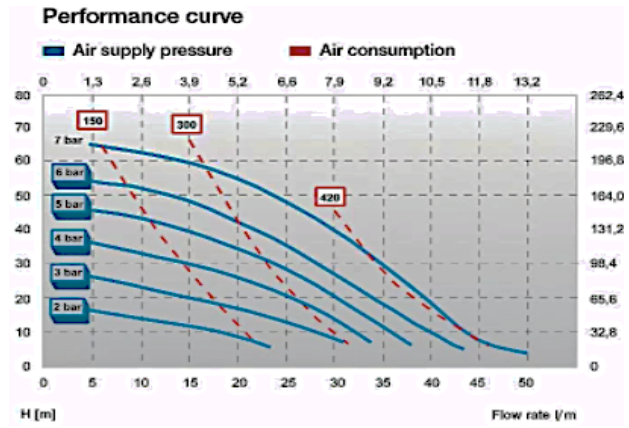
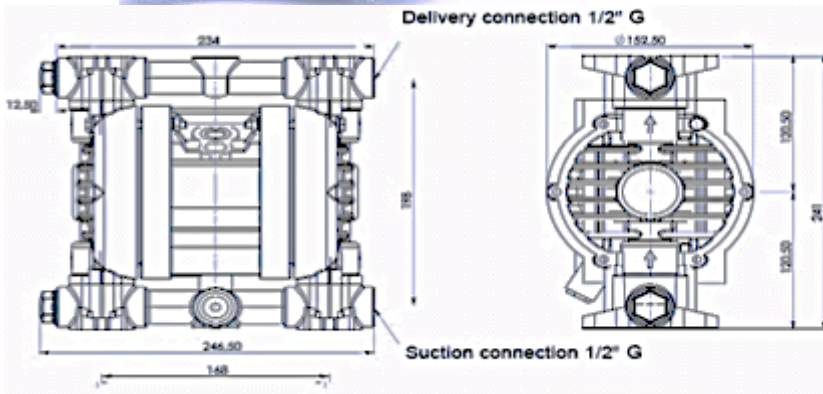
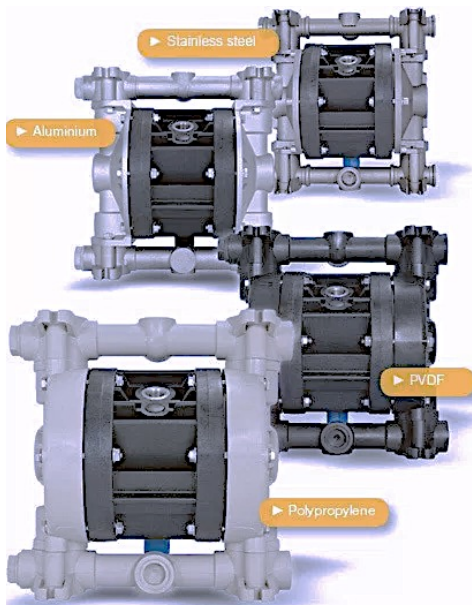
Diaphragm Pump Model JP-800.30

Technical Data

Delivery / Suction connection:	G 1/2"
Air connection:	G 1/2"
Maximum dry suction lift:	6 mt.
Maximum flow rate:	30 L/minute
Maximum head:	70 mts.
Maximum air supply pressure:	7 bar
Solids:	Maximum Ø 2 mm
Net weight:	1.05/1.05/2.0/3.8 kg
Construction material:	PP PVDF Aluminum Stainless steel

Pulsation dampener model (Optional)

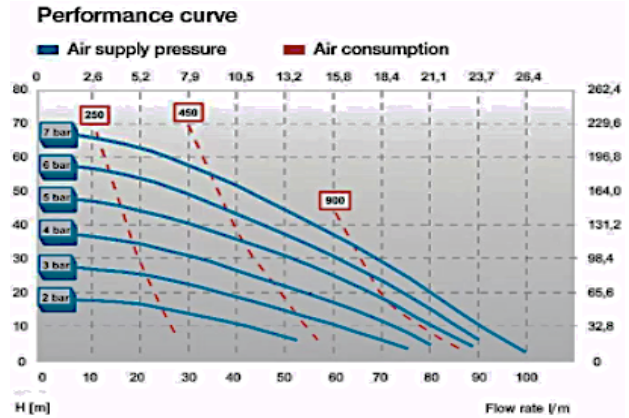
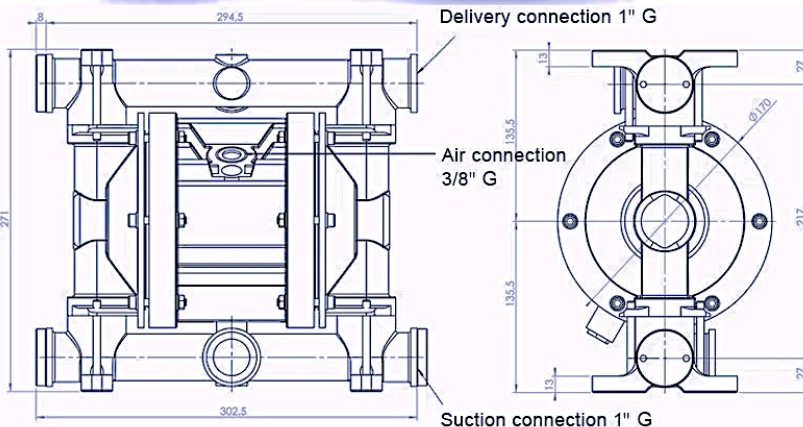
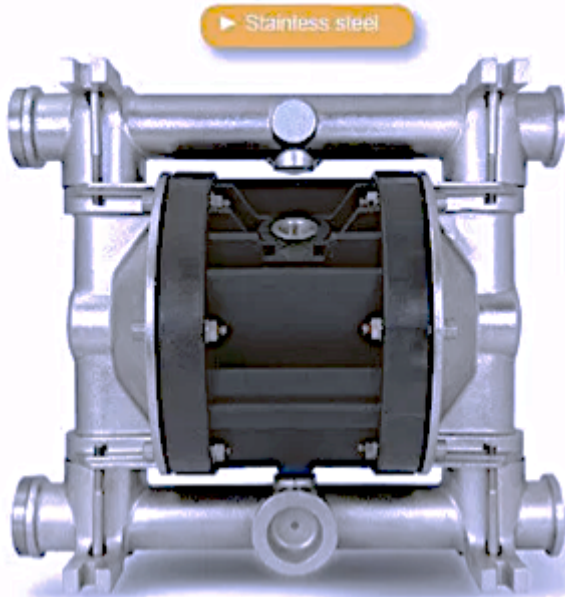




Diaphragm Pump Model JP-800.50

Technical Data

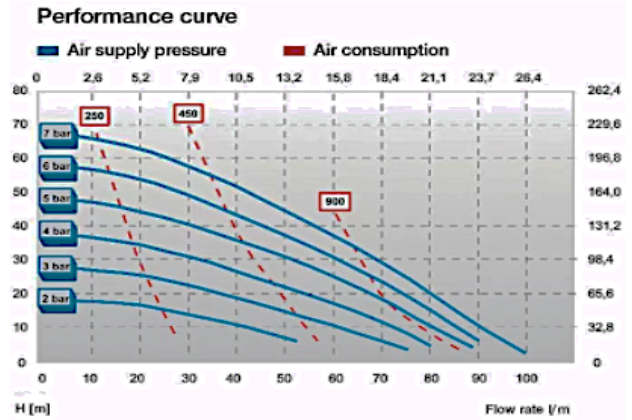
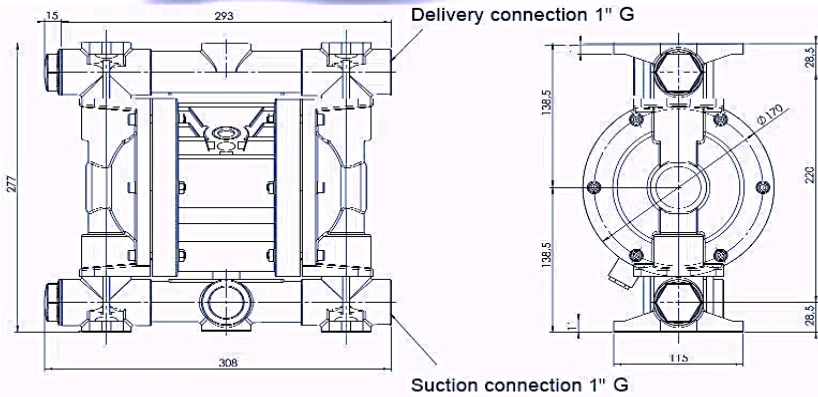
Delivery / Suction connection:	G 1/2"
Air connection:	G 3/8"
Maximum dry suction lift:	5 mt.
Maximum flow rate:	50 L/minute
Maximum head:	70 mts.
Maximum air supply pressure:	7 bar
Solids:	Maximum Ø 4 mm
Net weight:	3.6 / 4.2 / 4.0 / 6.5 kg
Construction material:	PP PVDF Aluminum Stainless steel
Pulsation dampener model (Optional)	EQUAFLUX 100 PP EQUAFLUX 100 PVDF EQUAFLUX 100 PPS-V EQUAFLUX 100 SS



Diaphragm Pump Model JP-800.90

Technical Data

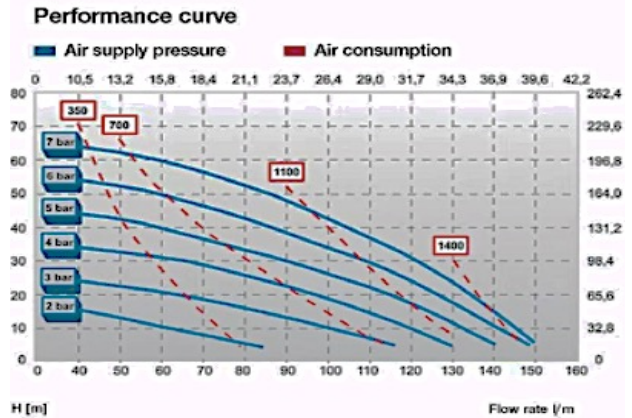
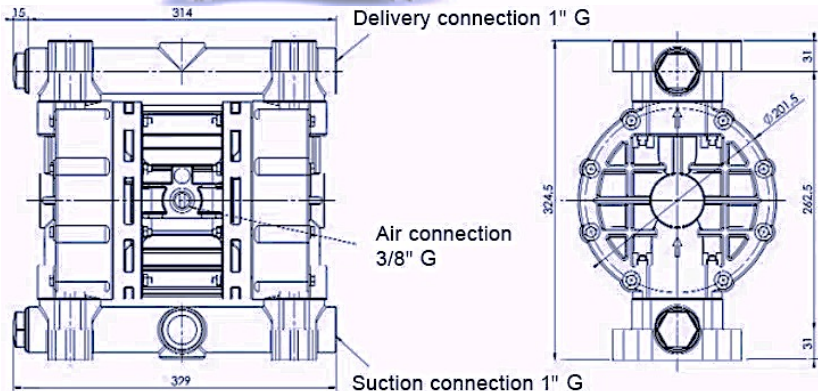
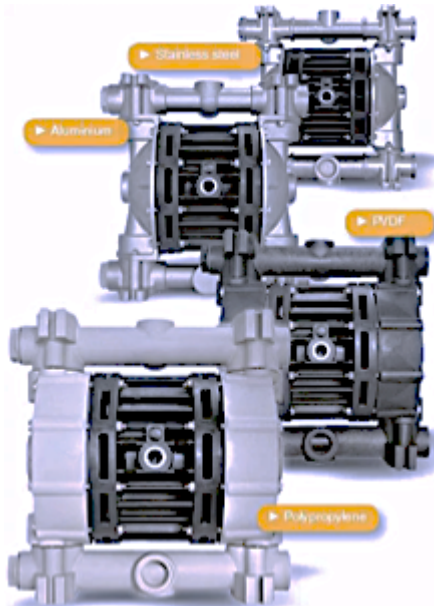
Delivery / Suction connection:	G 1"
Air connection:	G 3/8"
Maximum dry suction lift:	6 mt.
Maximum flow rate:	100 L/minute
Maximum head:	70 mts.
Maximum air supply pressure:	7 bar
Solids:	Maximum Ø 4 mm
Net weight:	10.5 kg
Construction material:	Stainless steel
Pulsation dampener model (Optional)	EQUAFLUX 100 PVDF EQUAFLUX 100 SS



Diaphragm Pump Model JP-800.91

Technical Data

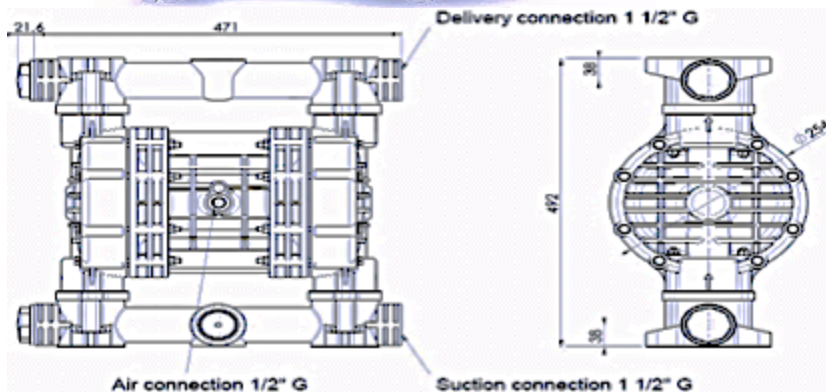
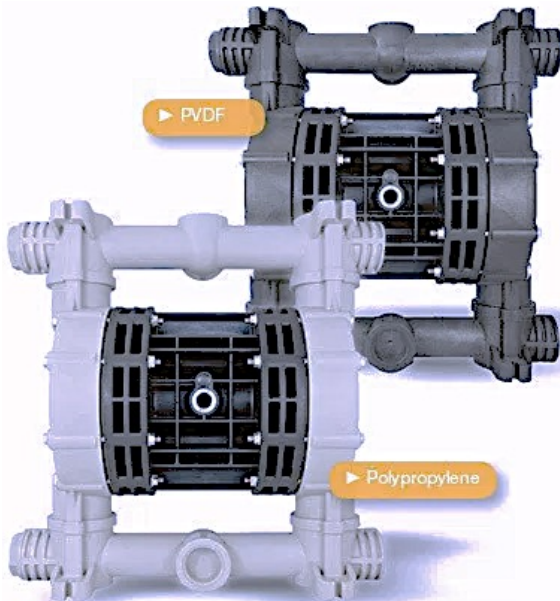
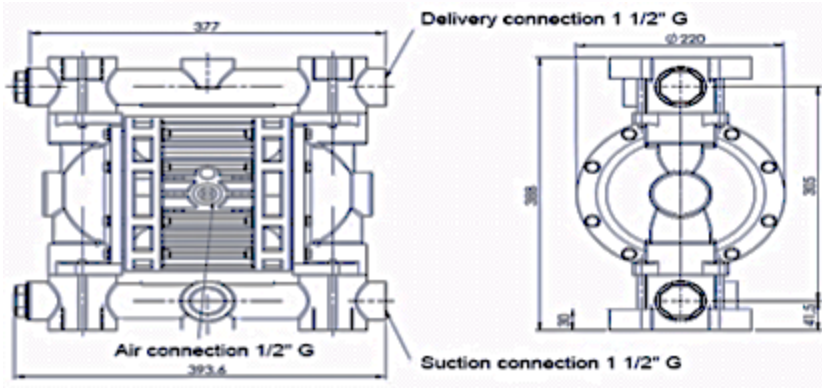
Delivery / Suction connection:	G 1"
Air connection:	G 3/8"
Maximum dry suction lift:	6 mt.
Maximum flow rate:	100 L/minute
Maximum head:	70 mts.
Maximum air supply pressure:	7 bar
Solids:	Maximum Ø 4 mm
Net weight:	5.0/6.5/6.5 kg
Construction material:	PP PVDF Aluminum
Pulsation dampener model (Optional)	EQUAFLUX 100 PP EQUAFLUX 100 PVDF EQUAFLUX 100 PPS-V EQUAFLUX 100 SS



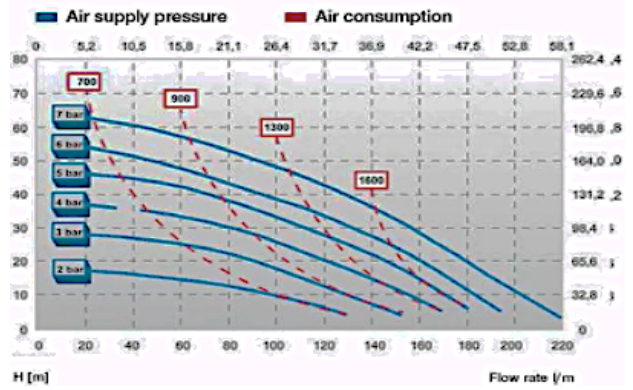
Diaphragm Pump Model JP-800.150

Technical Data

Delivery / Suction connection:	G 1"
Air connection:	G 3/8"
Maximum dry suction lift:	5 mt.
Maximum flow rate:	150 L/minute
Maximum head:	70 mts.
Maximum air supply pressure:	7 bar
Solids:	Maximum Ø 4 mm
Net weight:	7.5/8.5/8.2/11.0 kg
Construction material:	PP PVDF Aluminum Stainless steel
Pulsation dampener model (Optional)	EQUAFLUX 200 PP EQUAFLUX 200 PVDF EQUAFLUX 200 PPS-V EQUAFLUX 200 SS



Performance curve



Diaphragm Pump Model JP-800.220

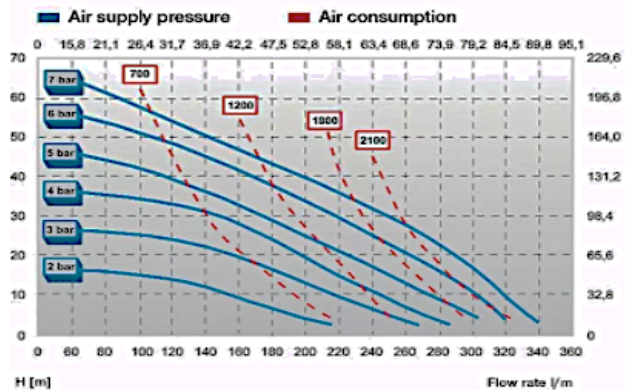
Technical Data

Delivery / Suction connection:	G 1 1/2"
Air connection:	G 1/2"
Maximum dry suction lift:	6 mt.
Maximum flow rate:	220 L/minute
Maximum head:	70 mts.
Maximum air supply pressure:	7 bar
Solids:	Maximum Ø 5 mm
Net weight:	12.0/14.0/16.0/21.0 kg
Construction material:	PP PVDF Aluminum Stainless steel

Pulsation dampener model (Optional)

- EQUAFLUX 200 PP
- EQUAFLUX 200 PVDF
- EQUAFLUX 200 PPS-V
- EQUAFLUX 200 SS

Performance curve



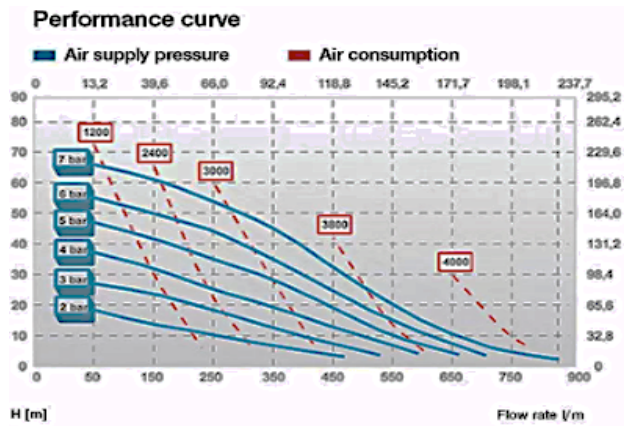
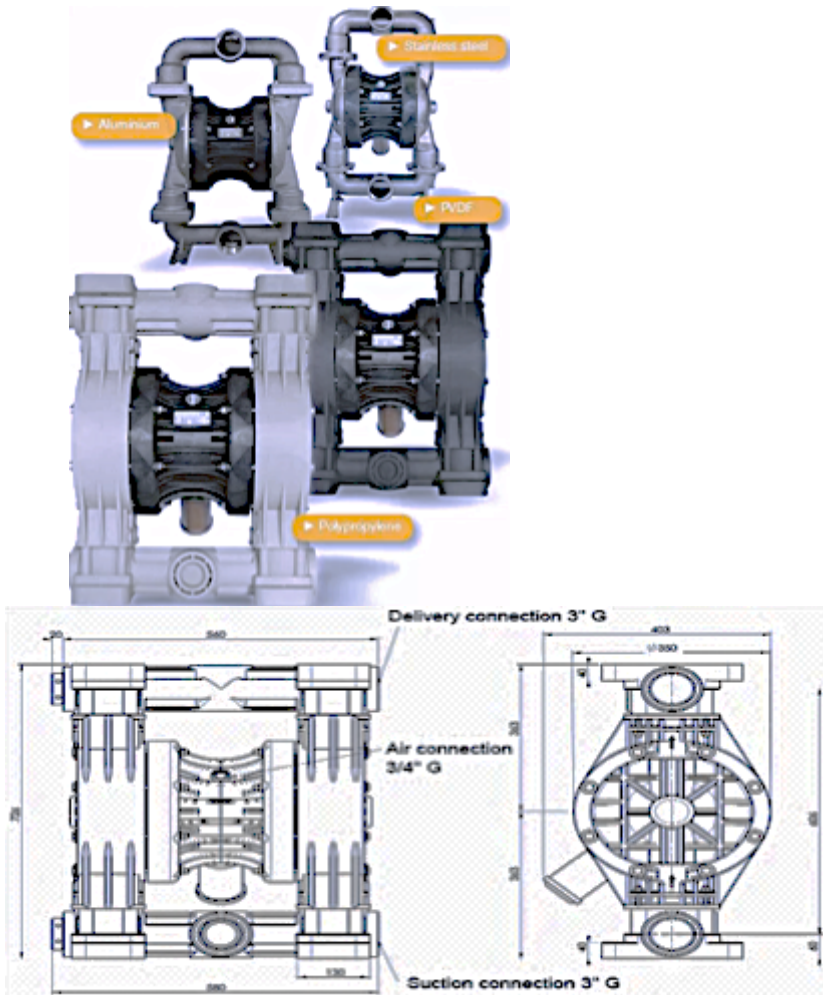
Diaphragm Pump Model JP-800.340

Technical Data

Delivery / Suction connection:	G 1 1/2"
Air connection:	G 1/2"
Maximum dry suction lift:	6 mt.
Maximum flow rate:	340 L/minute
Maximum head:	70 mts.
Maximum air supply pressure:	7 bar
Solids:	Maximum Ø 6 mm
Net weight:	16.0/20.0 kg
Construction material:	PP PVDF

Pulsation dampener model (Optional)

- EQUAFLUX 200 PP
- EQUAFLUX 200 PVDF



Diaphragm Pump Model JP-800.850

Technical Data

Delivery / Suction connection:	G 3"
Air connection:	G 3/4"
Maximum dry suction lift:	5 mt.
Maximum flow rate:	900 L/minute
Maximum head:	70 mts.
Maximum air supply pressure:	7 bar
Solids:	Maximum Ø 10 mm
Net weight:	50.0/67.0/66.0/71.0 kg
Construction material:	PP PVDF Aluminum Stainless steel

Pulsation dampener model (Optional)

	EQUAFLUX 303 PP
	EQUAFLUX 303 PVDF
	EQUAFLUX 303 Alu

PULSATION DAMPENER EQUAFLUX FOR JP-800 SERIES

Applications of Pulsation Dampener:

- Metering/Injection/Dosing • Equalizes discharge pressure spikes and increasing accuracy • Filter press/Inline filters • Increases filter efficiency and life by providing a smooth flow • Spraying • Smooth and consistent spray pattern • Filling • Eliminates inconsistent filling and splashing • Eliminates harmful water hammer, preventing pipe and valve damage.



PP

MODEL EQUAFLUX PP

Material:	Polypropylene (PP)
Connection:	G 3/4"
Air connection:	Ø 6 mm
Maximum operating For pump model:	7 bar JP-800.5 PP JP-800.16 PP JP-800.30 PP
Weight:	0.5 kg
Dimension:	121 x 117 mm
Maximum operating temperature:	65°C



PVDF

MODEL EQUAFLUX PVDF

Material:	PVDF
Connection:	G 3/4"
Air connection:	Ø 6 mm
Maximum operating For pump model:	7 bar JP-800.ECTFE JP-800.16 PVDF JP-800.30 SS
Weight:	0.5 kg
Dimension:	121 x 117 mm
Maximum operating temperature:	65°C



PPS-V

MODEL EQUAFLUX PVDF

Material: PPS-V
Connection: G ¾"
Air connection: Ø 6 mm
Maximum operating 7 bar
For pump model: JP-800.Alu
Weight: 0.6 kg
Dimension: 121 x 117 mm
Maximum operating temperature: 95°C



SS

MODEL EQUAFLUX SS

Material: SS
Connection: G ¾"
Air connection: Ø 6 mm
Maximum operating 7 bar
For pump model: JP-800.SS
Weight: 1.4 kg
Dimension: 133 x 117 mm
Maximum operating temperature: 95°C

PULSATION DAMPENER EQUAFLUX 100 FOR JP-800 SERIES



PP

MODEL EQUAFLUX PP

Material: Polypropylene (PP)
Connection: G 1"
Air connection: Ø 6 mm
Maximum operating 7 bar
For pump model: JP-800.50 PP
 JP-800.91 PP
Weight: 1.5 kg
Dimension: 177 x 170 mm
Maximum operating temperature: 60°C



PVDF

MODEL EQUAFLUX PVDF

Material: PVDF
Connection: G 1"
Air connection: Ø 6 mm
Maximum operating 7 bar
For pump model: JP-800.50 SS
 JP-800.50 PVDF
 JP-800.91 PVDF
 JP-800.90 SS
Weight: 1.7 kg
Dimension: 177 x 170 mm
Maximum operating temperature: 95°C



PPS-V

MODEL EQUAFLUX PPS-V

Material: PPS-V
Connection: G 1"
Air connection: Ø 6 mm
Maximum operating 7 bar
For pump model: JP-800.50 Alu
 JP-800.91 Alu
Weight: 1.7 kg
Dimension: 177 x 170 mm
Maximum operating temperature: 95°C



SS

MODEL EQUAFLUX SS

Material: SS
Connection: G 1"
Air connection: Ø 6 mm
Maximum operating 7 bar
For pump model: JP-800.50 SS
 JP-800.90 SS
Weight: 1.4 kg
Dimension: 183.2 x 151 mm
Maximum operating temperature: 95°C

PULSATION DAMPENER EQUAFLUX 200 FOR JP-800 SERIES

PP



MODEL EQUAFLUX 200 PP

Material: Polypropylene (PP)
Connection: G 1½"
Air connection: Ø 6 mm
Maximum operating For pump model: 7 bar
 JP-800.150 PP
 JP-800.220 PP
 JP-800.340 PP
Weight: 3.8 kg
Dimension: 283.2 x 254 mm
Maximum operating temperature: 60°C

PVDF



MODEL EQUAFLUX 200 PVDF

Material: PVDF
Connection: G 1½"
Air connection: Ø 6 mm
Maximum operating For pump model: 7 bar
 JP-800.150 PVDF/SS
 JP-800.220 PVDF/SS
 JP-800.340 PVDF/SS
 JP-800.341 SS
Weight: 1.7 kg
Dimension: 283.2 x 254 mm
Maximum operating temperature: 95°C

PPS-V



MODEL EQUAFLUX 200 PPS-V

Material: PPS-V
Connection: G 1½"
Air connection: Ø 6 mm
Maximum operating For pump model: 7 bar
 JP-800.150 Alu
 JP-800.220 Alu
 JP-800.341 Alu
Weight: 4.5 kg
Dimension: 283.2 x 254 mm
Maximum operating temperature: 95°C

SS



MODEL EQUAFLUX 200 SS

Material: SS
Connection: G 1½"
Air connection: Ø 6 mm
Maximum operating For pump model: 7 bar
 JP-800.150 SS
 JP-800.220 SS
 JP-800.341 SS
Weight: 6.5 kg
Dimension: 265.7 x 254 mm
Maximum operating temperature: 95°C

PULSATION DAMPENER EQUAFLUX 302 FOR JP-800 SERIES

PP



MODEL EQUAFLUX 302 PP

Material: Polypropylene (PP)
Connection: G 2"
Air connection: Ø 8 mm
Maximum operating For pump model: 7 bar
 JP-800.650 PP
Weight: 23 kg
Dimension: 398 x 516 mm
Maximum operating temperature: 60°C

PVDF



MODEL EQUAFLUX 302 PVDF

Material: PVDF
Connection: G 2"
Air connection: Ø 8 mm
Maximum operating For pump model: 7 bar
 JP-800.650 PVDF
Weight: 28.5 kg
Dimension: 356 x 352 mm
Maximum operating temperature: 95°C



Alu

MODEL EQUAFLUX 302 Alu

Material: Alu
Connection: G 2"
Air connection: Ø 8 mm
Maximum operating 7 bar
For pump model: JP-800.650 Alu
Weight: 26 kg
Dimension: 356 x 352 mm
Maximum operating temperature: 95°C



SS

MODEL EQUAFLUX 302 SS

Material: SS
Connection: G 2"
Air connection: Ø 6 mm
Maximum operating 7 bar
For pump model: JP-800.650 SS
Weight: 32 kg
Dimension: 398 x 516 mm
Maximum operating temperature: 95°C

PULSATION DAMPENER EQUAFLUX 303 FOR JP-800 SERIES



PP

MODEL EQUAFLUX 303 PP

Material: Polypropylene (PP)
Connection: G 3"
Air connection: Ø 8 mm
Maximum operating 7 bar
For pump model: JP-800.850 PP
Weight: 23 kg
Dimension: 398 x 516 mm
Maximum operating temperature: 60°C



PVDF

MODEL EQUAFLUX 303 PVDF

Material: PVDF
Connection: G 3"
Air connection: Ø 8 mm
Maximum operating 7 bar
For pump model: JP-800.850 PVDF
Weight: 28.5 kg
Dimension: 398 x 516 mm
Maximum operating temperature: 95°C



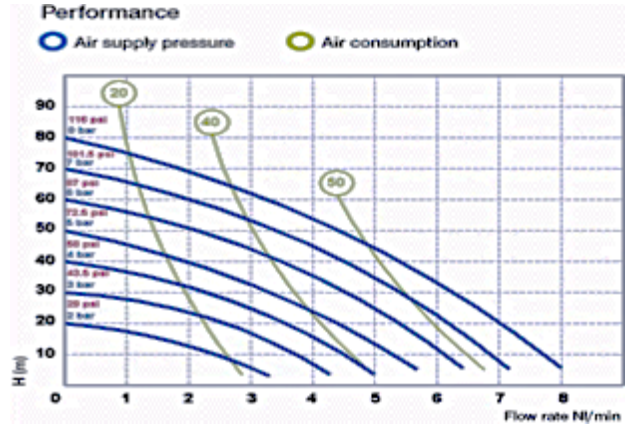
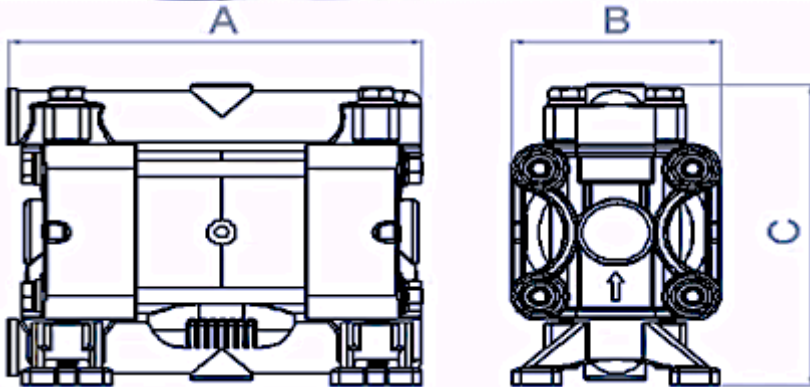
MODEL EQUAFLUX 303 Alu

Material: Alu
Connection: G 3"
Air connection: Ø 8 mm
Maximum operating 7 bar
For pump model: JP-800.850 Alu
Weight: 29 kg
Dimension: 356 x 352 mm
Maximum operating temperature: 95°C

Diaphragm Pumps JP-810 Series



JP-810 Series	810.80	810.20	810.35	810.55	810.70	810.110	810.111	810.170	810.250	810.400	810.550	810.700	810.1050
Material available	PP PVDF POMc	PP PVDF POMc SS	PP PVDF POMc SS	PP PVDF POMc SS	PP PVDF POMc SS	PP PVDF POMc SS	PP PVDF	PP PVDF ALU SS	PP PVDF ALU SS	PP PVDF ALU SS	PP PVDF ALU SS	PP PVDF ALU SS	PP PVDF ALU SS
Fluid connection	¼" BSP	¾" BSP	½" BSP	½" BSP	½" BSP	¾" BSP	1" BSP	1" BSP	1½" BSP	1½" BSP DN40	1½" BSP DN40	2" BSP DN50	3" BSP DN80
Air connection	4 mm	6 mm	6 mm	¼" BSP	¾" BSP	¾" BSP	¾" BSP	½" BSP	½" BSP	½" BSP	¾" BSP	¾" BSP	¾" BSP
Flow rate (L/minute)	8	20	35	55	70	110	110	170	250	380	550	700	1,050
Air pressure (bar)	8	8	8	8	8	8	8	8	8	8	8	8	8
Delivery head (mt.)	80	80	80	80	80	80	80	80	80	80	80	80	80
Suction lift dry (mt.)	3	6	5	6	6	6	6	6	6	5	5	5	5
Suction lift wet (mt.)	9.8	9.8	9.8	9.8	9.8	9.8	9.8	9.8	9.8	9.8	9.8	9.8	9.8
Solids (mm)	2.5	3	3.5	3.5	3.5	3.5	3.5	7.5	7.5	8	8.5	8.5	10
Noise level (dB)	62	65	65	68	72	72	72	75	75	78	78	78	78
Viscosity (mPas)	6,000	12,000	15,000	20,000	25,000	25,000	25,000	35,000	35,000	40,000	50,000	50,000	55,000

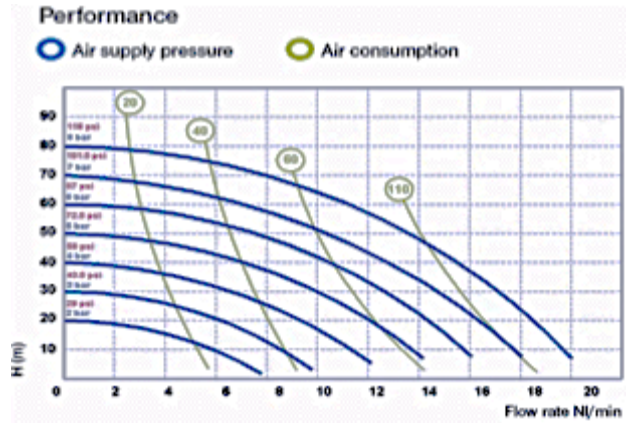
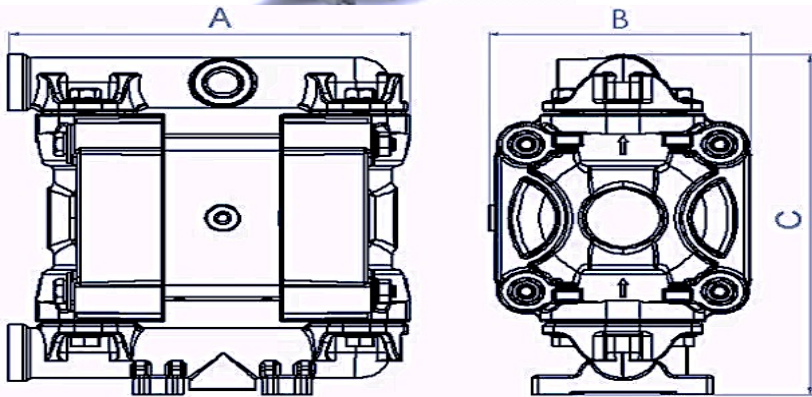


Diaphragm Pump Model JP-810.8

Technical Data

Fluid connection:	¼" BSP
Air connection:	4 mm
Maximum flow rate:	8 L/minute
Maximum air supply pressure:	8 bar
Maximum head:	80 mts.
Maximum dry suction lift:	3 mt.
Maximum wet suction lift:	9.8 mts.
Solids:	Maximum Ø 2.5 mm
Noise level:	62 dB
Viscosity:	6,000 mPas
Construction material:	PP, PVDF, POMc
Pulsation dampener model (Optional)	DP-20 PP DP-20 PVDF DP-20 POMc DP-20 SS

Dimensions	PP	PVDF	POMc
A (mm)	129	129	129
B (mm)	68	68	68
C (mm)	112	112	112
Maximum temperature	65°C	95°C	80°C
Minimum temperature	-4°C	-20°C	-5°C
Weight (Kg)	0.9	0.7	0.9

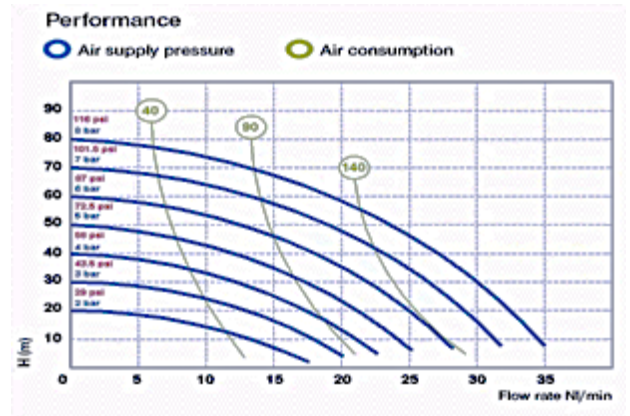
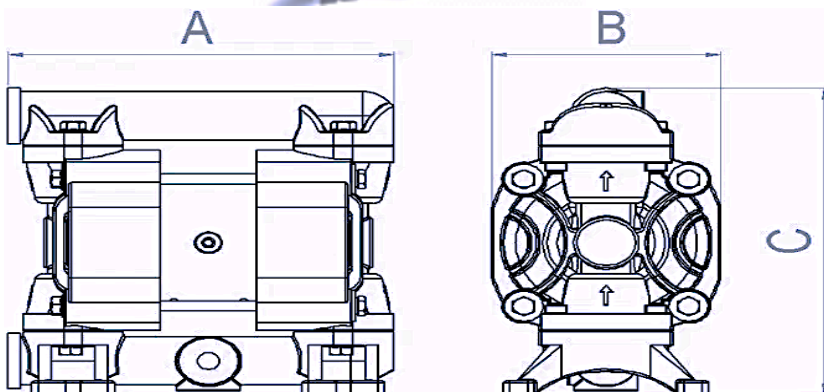


Diaphragm Pump Model JP-810.20

Technical Data

Fluid connection: ½" BSP
 Air connection: 6 mm
 Maximum flow rate: 20 L/minute
 Maximum air supply pressure: 8 bar
 Maximum head: 80 mts.
 Maximum dry suction lift: 6 mt.
 Maximum wet suction lift: 9.8 mts.
 Solids: Maximum Ø 3 mm
 Noise level: 65 dB
 Viscosity: 12,000 mPas
 Construction material: PP, PVDF, POMc, SS
 Pulsation dampener model (Optional): DP-20 PP, DP-20 PVDF, DP-20 POMc, DP-20 SS

Dimensions	PP	PVDF	POMc	SS
A (mm)	146	146	146	148
B (mm)	96	96	96	92
C (mm)	164	164	164	153
Maximum temperature	65°C	95°C	80°C	95°C
Minimum temperature	-4°C	-20°C	-5°C	-20°C
Weight (Kg)	1.1	1.4	1.1	2.1

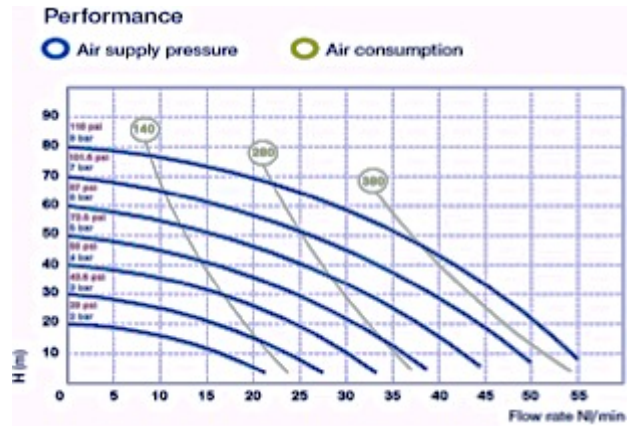
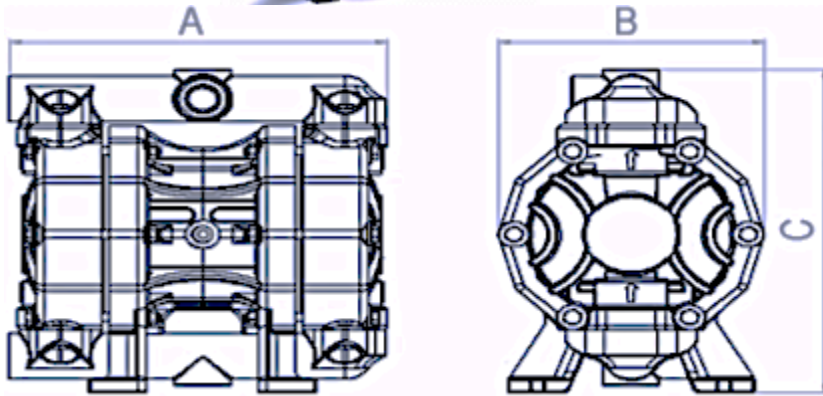


Diaphragm Pump Model JP-810.35

Technical Data

Fluid connection: ½" BSP
 Air connection: 6 mm
 Maximum flow rate: 35 L/minute
 Maximum air supply pressure: 8 bar
 Maximum head: 80 mts.
 Maximum dry suction lift: 5 mt.
 Maximum wet suction lift: 9.8 mts.
 Solids: Maximum Ø 3.5 mm
 Noise level: 65 dB
 Viscosity: 15,000 mPas
 Construction material: PP, PVDF, POMc, SS
 Pulsation dampener model (Optional): DP-20 PP, DP-20 PVDF, DP-20 POMc, DP-20 SS

Dimensions	PP	PVDF	POMc	SS
A (mm)	177	177	177	182
B (mm)	105	105	105	104
C (mm)	183	183	183	190
Maximum temperature	65°C	95°C	80°C	95°C
Minimum temperature	-4°C	-20°C	-5°C	-20°C
Weight (Kg)	1.4	1.7	1.4	2.4

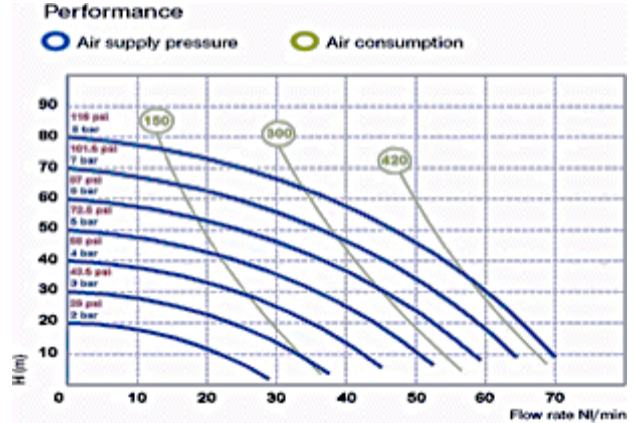
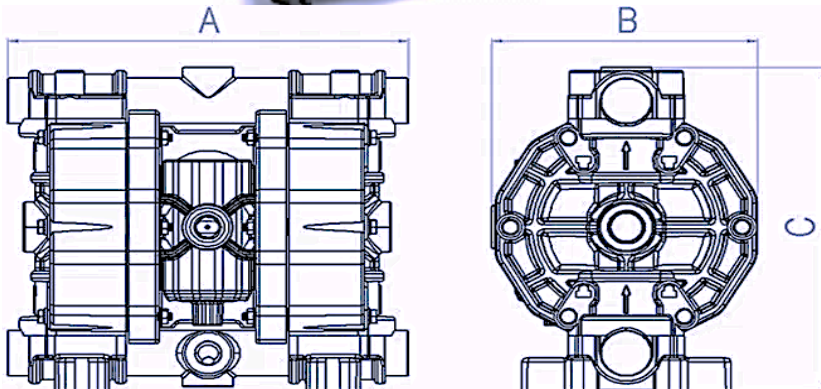


Diaphragm Pump Model JP-810.55

Technical Data

Fluid connection: 1/2" BSP
 Air connection: 1/4" BSP
 Maximum flow rate: 55 L/minute
 Maximum air supply pressure: 8 bar
 Maximum head: 80 mts.
 Maximum dry suction lift: 6 mt.
 Maximum wet suction lift: 9.8 mts.
 Solids: Maximum Ø 3.5 mm
 Noise level: 68 dB
 Viscosity: 20,000 mPas
 Construction material: PP, PVDF, POMc, SS
 Pulsation dampener model (Optional): DP-25 PP, DP-25 PVDF, DP-25 POMc, DP-25 SS

Dimensions	PP	PVDF	POMc	SS
A (mm)	222	222	225	225
B (mm)	156	156	156	156
C (mm)	233	233	230	230
Maximum temperature	65°C	95°C	90°C	95°C
Minimum temperature	-4°C	-20°C	-20°C	-20°C
Weight (Kg)	4	4.5	5	6

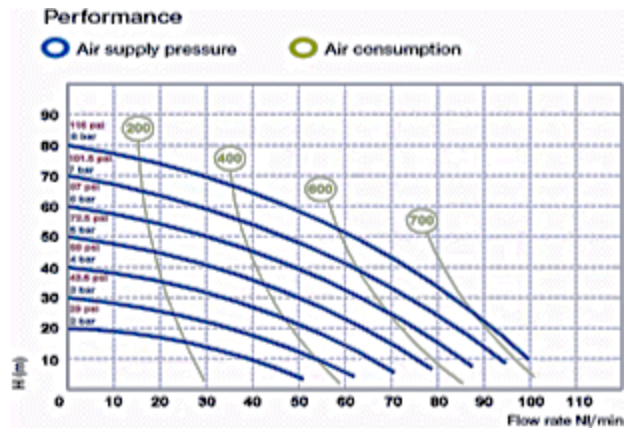
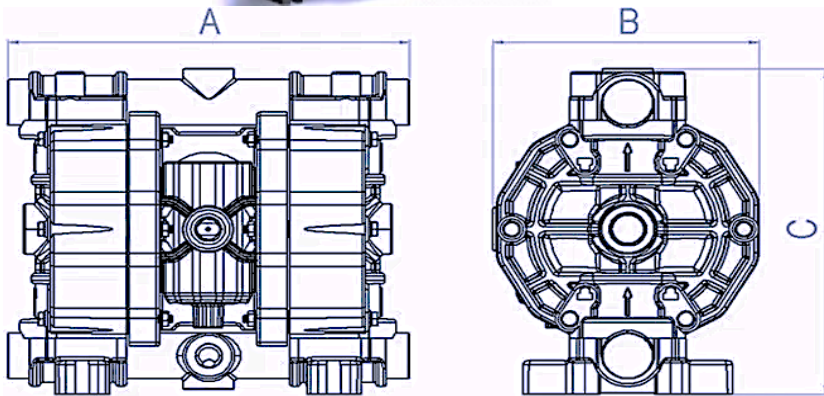


Diaphragm Pump Model JP-810.70

Technical Data

Fluid connection: 1/2" BSP
 Air connection: 3/8" BSP
 Maximum flow rate: 70 L/minute
 Maximum air supply pressure: 8 bar
 Maximum head: 80 mts.
 Maximum dry suction lift: 6 mt.
 Maximum wet suction lift: 9.8 mts.
 Solids: Maximum Ø 3.5 mm
 Noise level: 72 dB
 Viscosity: 25,000 mPas
 Construction material: PP, PVDF, POMc, SS
 Pulsation dampener model (Optional): DP-25 PP, DP-25 PVDF, DP-25 POMc, DP-25 SS

Dimensions	PP	PVDF	POMc	SS
A (mm)	265	265	265	250
B (mm)	175	175	175	175
C (mm)	245	245	245	250
Maximum temperature	65°C	95°C	90°C	95°C
Minimum temperature	-4°C	-20°C	-20°C	-20°C
Weight (Kg)	6.5	7	7	9

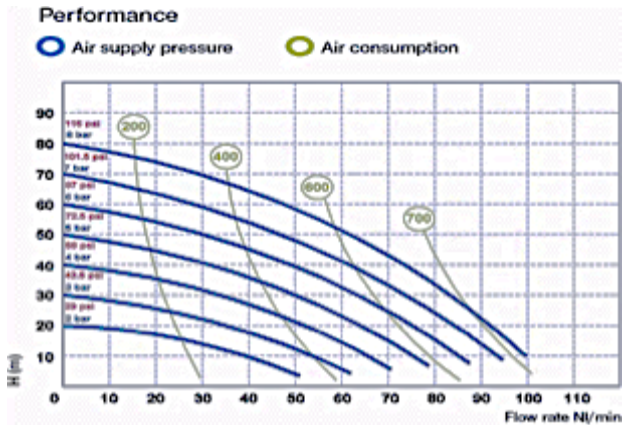
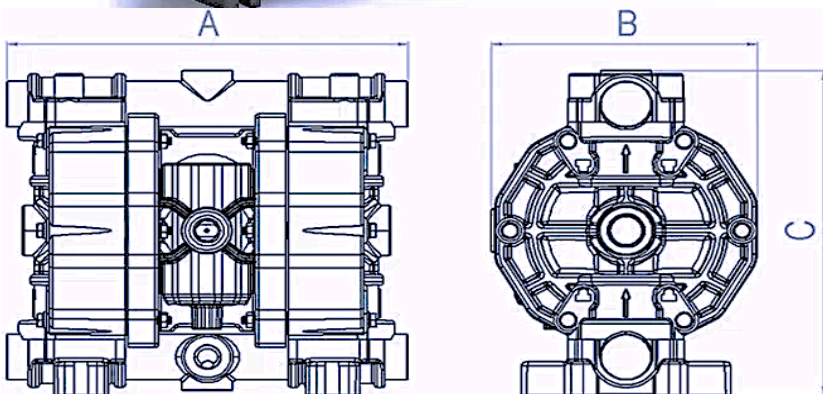


Diaphragm Pump Model JP-810.110

Technical Data

Fluid connection: ¼" BSP
 Air connection: ¾" BSP
 Maximum flow rate: 110 L/minute
 Maximum air supply pressure: 8 bar
 Maximum head: 80 mts.
 Maximum dry suction lift: 6 mt.
 Maximum wet suction lift: 9.8 mts.
 Solids: Maximum Ø 3.5 mm
 Noise level: 72 dB
 Viscosity: 25,000 mPas
 Construction material: PP, PVDF, POMc, SS
 Pulsation dampener model (Optional): DP-25 PP, DP-25 PVDF, DP-25 POMc, DP-25 SS

Dimensions	PP	PVDF	POMc	SS
A (mm)	265	265	265	250
B (mm)	175	175	175	175
C (mm)	245	245	245	250
Maximum temperature	65°C	95°C	90°C	95°C
Minimum temperature	-4°C	-20°C	-20°C	-20°C
Weight (Kg)	6.5	7	7	9

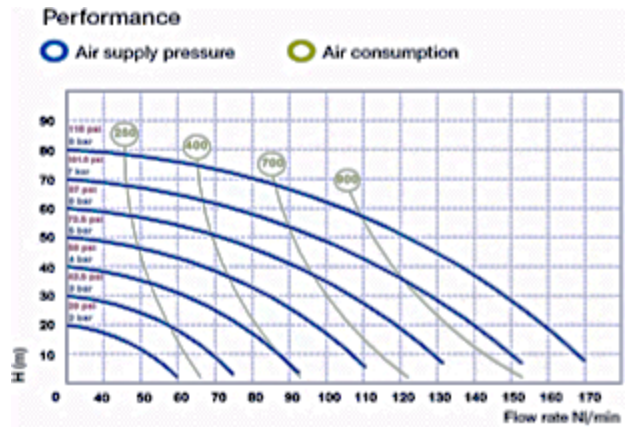
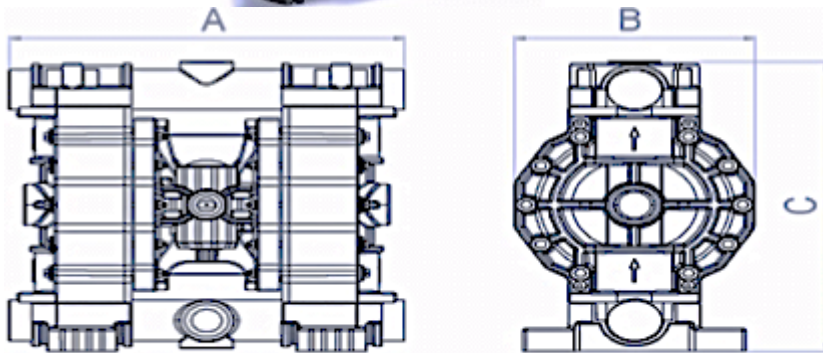


Diaphragm Pump Model JP-810.111

Technical Data

Fluid connection: 1" BSP
 Air connection: ¾" BSP
 Maximum flow rate: 110 L/minute
 Maximum air supply pressure: 8 bar
 Maximum head: 80 mts.
 Maximum dry suction lift: 6 mt.
 Maximum wet suction lift: 9.8 mts.
 Solids: Maximum Ø 3.5 mm
 Noise level: 72 dB
 Viscosity: 25,000 mPas
 Construction material: PP, PVDF
 Pulsation dampener model (Optional): DP-25 PP, DP-25 PVDF, DP-25 POMc, DP-25 SS

Dimensions	PP	PVDF
A (mm)	265	265
B (mm)	175	175
C (mm)	245	245
Maximum temperature	65°C	95°C
Minimum temperature	-4°C	-20°C
Weight (Kg)	6.5	7

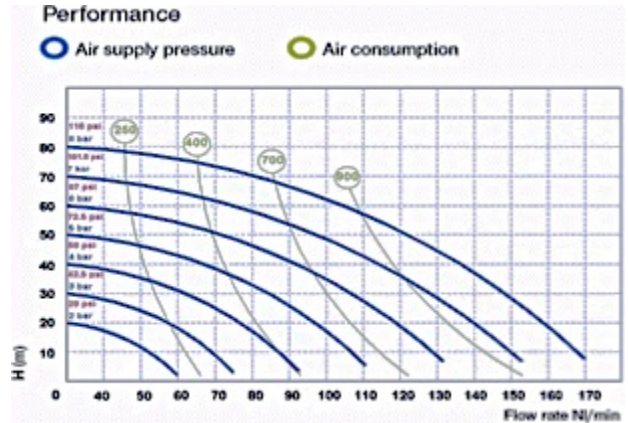
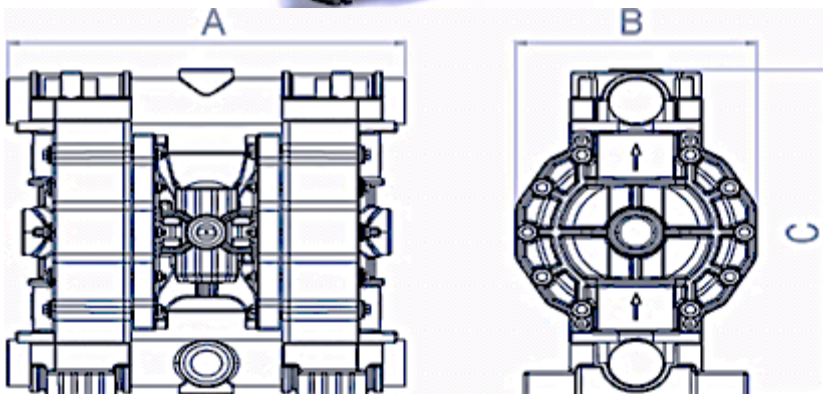


Diaphragm Pump Model JP-810.170

Technical Data

Fluid connection: 1" BSP
 Air connection: 1/2" BSP
 Maximum flow rate: 170 L/minute
 Maximum air supply pressure: 8 bar
 Maximum head: 80 mts.
 Maximum dry suction lift: 6 mt.
 Maximum wet suction lift: 9.8 mts.
 Solids: Maximum Ø 7.5 mm
 Noise level: 75 dB
 Viscosity: 35,000 mPas
 Construction material: PP, PVDF, ALU, SS
 Pulsation dampener model (Optional): DP-40 PP, DP-40 PVDF, DP-40 POMc, DP-40 SS

Dimensions	PP	PVDF	ALU	SS
A (mm)	370	370	370	360
3B (mm)	222	222	222	222
C (mm)	370	370	364	346
Maximum temperature	65°C	95°C	90°C	95°C
Minimum temperature	-4°C	-20°C	-20°C	-20°C
Weight (Kg)	15	16	16	20

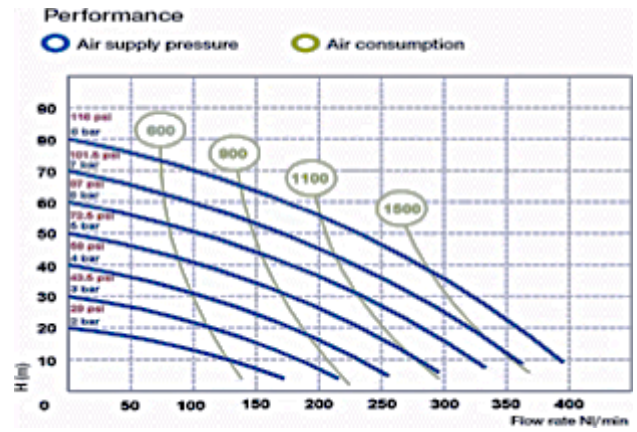
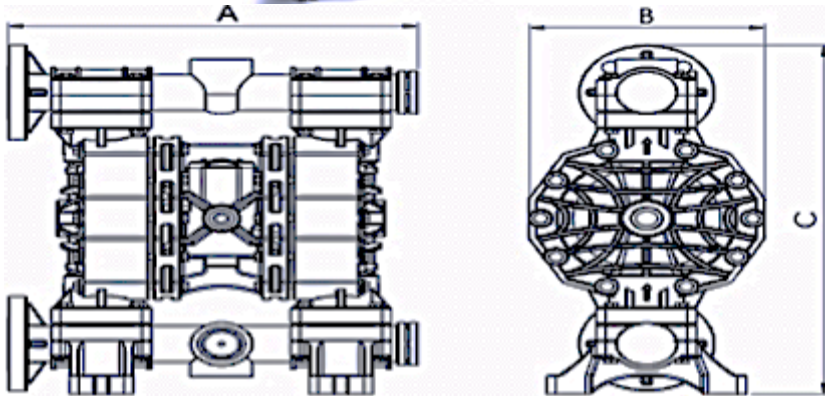
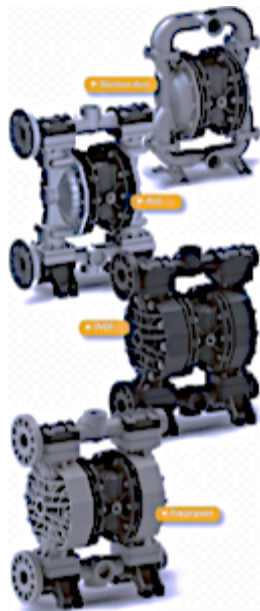


Diaphragm Pump Model JP-810.250

Technical Data

Fluid connection: 1 1/4" BSP
 Air connection: 1/2" BSP
 Maximum flow rate: 250 L/minute
 Maximum air supply pressure: 8 bar
 Maximum head: 80 mts.
 Maximum dry suction lift: 6 mt.
 Maximum wet suction lift: 9.8 mts.
 Solids: Maximum Ø 7.5 mm
 Noise level: 75 dB
 Viscosity: 35,000 mPas
 Construction material: PP, PVDF, ALU, SS
 Pulsation dampener model (Optional): DP-40 PP, DP-40 PVDF, DP-40 POMc, DP-40 SS

Dimensions	PP	PVDF	ALU	SS
A (mm)	370	370	370	360
3B (mm)	222	222	222	222
C (mm)	370	370	364	346
Maximum temperature	65°C	95°C	90°C	95°C
Minimum temperature	-4°C	-20°C	-20°C	-20°C
Weight (Kg)	15	16	16	20

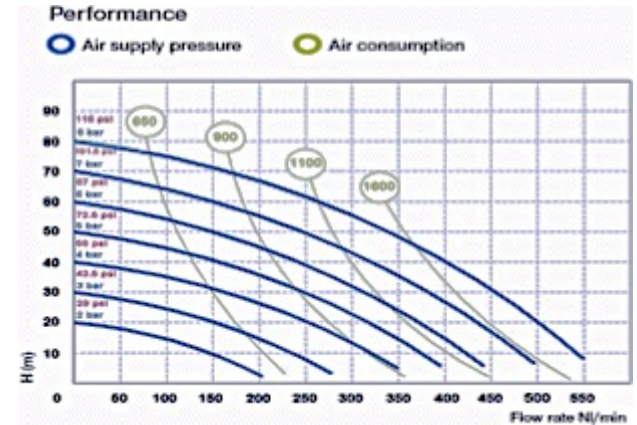
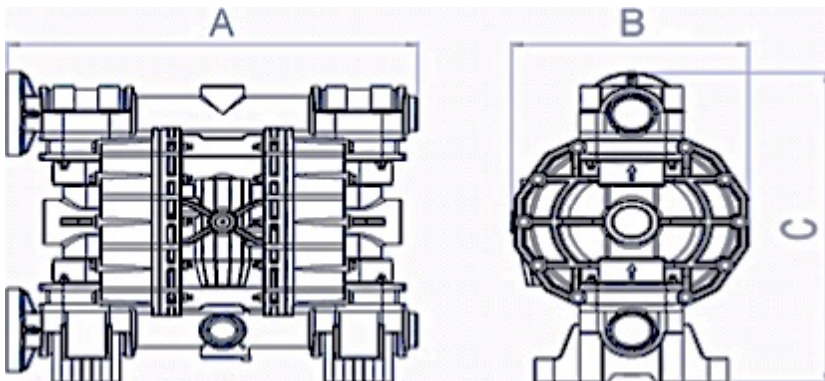
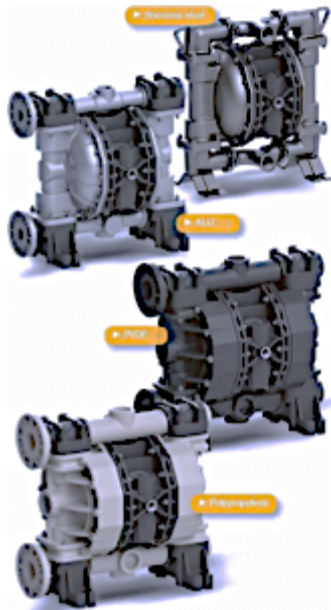


Diaphragm Pump Model JP-810.400

Technical Data

Fluid connection: 1½" BSP DN40
 Air connection: ½" BSP
 Maximum flow rate: 380 L/minute
 Maximum air supply pressure: 8 bar
 Maximum head: 80 mts.
 Maximum dry suction lift: 5 mt.
 Maximum wet suction lift: 9.8 mts.
 Solids: Maximum Ø 8 mm
 Noise level: 78 dB
 Viscosity: 40,000 mPas
 Construction material: PP, PVDF, ALU, SS
 Pulsation dampener model (Optional): DP-40 PP, DP-40 PVDF, DP-40 POMc, DP-40 SS

Dimensions	PP	PVDF	ALU	SS
A (mm)	454	454	444	361
3B (mm)	260	260	260	260
C (mm)	562	562	562	502
Maximum temperature	65°C	95°C	95°C	95°C
Minimum temperature	-4°C	-20°C	-20°C	-20°C
Weight (Kg)	18	22	22	35

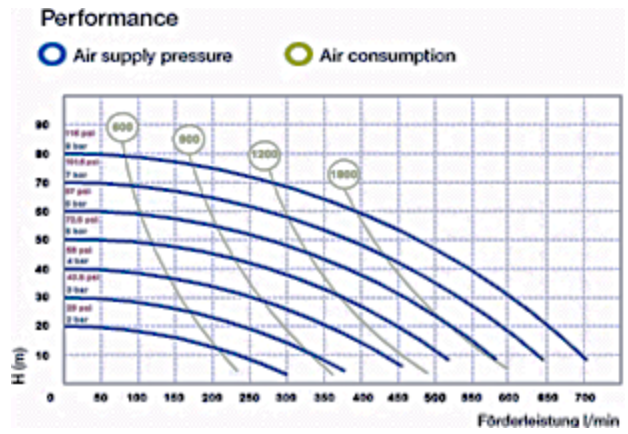
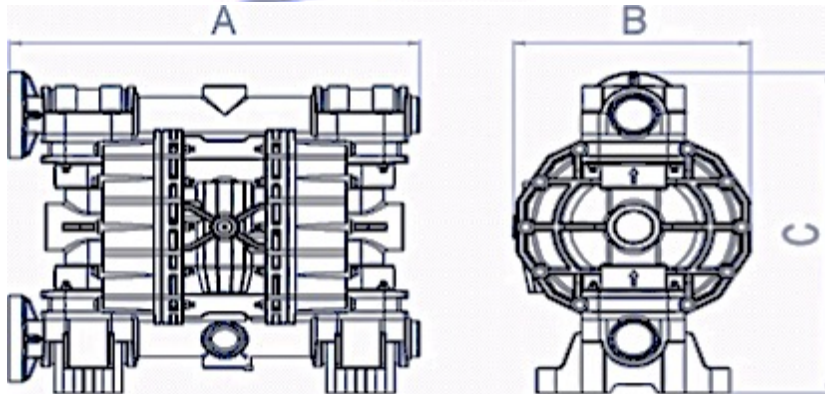
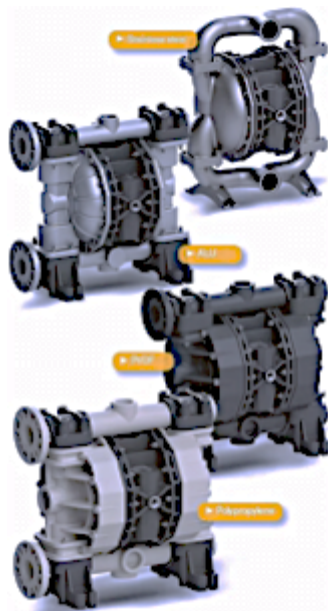


Diaphragm Pump Model JP-810.550

Technical Data

Fluid connection: 1½" BSP DN40
 Air connection: ¾" BSP
 Maximum flow rate: 550 L/minute
 Maximum air supply pressure: 8 bar
 Maximum head: 80 mts.
 Maximum dry suction lift: 5 mt.
 Maximum wet suction lift: 9.8 mts.
 Solids: Maximum Ø 8.5 mm
 Noise level: 78 dB
 Viscosity: 50,000 mPas
 Construction material: PP, PVDF, ALU, SS
 Pulsation dampener model (Optional): DP-50 PP, DP-50 PVDF, DP-50 ALU, DP-50 SS

Dimensions	PP	PVDF	ALU	SS
A (mm)	595	595	595	582
3B (mm)	345	345	345	345
C (mm)	565	565	560	570
Maximum temperature	65°C	95°C	90°C	95°C
Minimum temperature	-4°C	-20°C	-20°C	-20°C
Weight (Kg)	31	36	36	60

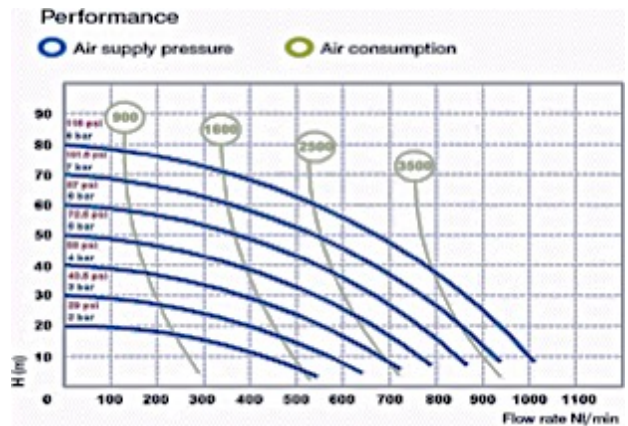
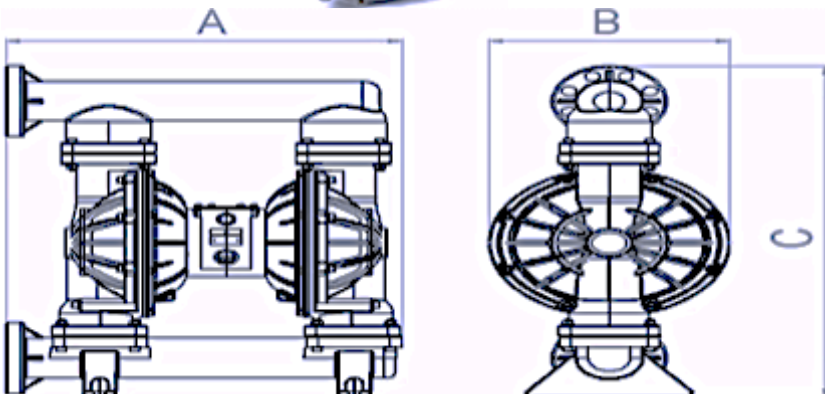


Diaphragm Pump Model JP-810.700

Technical Data

Fluid connection: 2" BSP DN50
 Air connection: ¼" BSP
 Maximum flow rate: 700 L/minute
 Maximum air supply pressure: 8 bar
 Maximum head: 80 mts.
 Maximum dry suction lift: 5 mt.
 Maximum wet suction lift: 9.8 mts.
 Solids: Maximum Ø 8.5 mm
 Noise level: 78 dB
 Viscosity: 50,000 mPas
 Construction material: PP, PVDF, ALU, SS
 Pulsation dampener model (Optional): DP-50 PP, DP-50 PVDF, DP-50 ALU, DP-50 SS

Dimensions	PP	PVDF	ALU	SS
A (mm)	595	595	595	487
3B (mm)	345	345	345	345
C (mm)	565	565	560	599
Maximum temperature	65°C	95°C	90°C	95°C
Minimum temperature	-4°C	-20°C	-20°C	-20°C
Weight (Kg)	31	36	36	46



Diaphragm Pump Model JP-810.1050

Technical Data

Fluid connection: 3" BSP DN80
 Air connection: ¼" BSP
 Maximum flow rate: 1,050 L/minute
 Maximum air supply pressure: 8 bar
 Maximum head: 80 mts.
 Maximum dry suction lift: 5 mt.
 Maximum wet suction lift: 9.8 mts.
 Solids: Maximum Ø 10 mm
 Noise level: 78 dB
 Viscosity: 55,000 mPas
 Construction material: PP, PVDF, ALU, SS
 Pulsation dampener model (Optional): DP-50 PP, DP-50 PVDF, DP-50 ALU, DP-50 SS

Dimensions	PP	PVDF	ALU	SS
A (mm)	685	685	570	570
3B (mm)	417	417	420	420
C (mm)	933	933	838	838
Maximum temperature	65°C	95°C	90°C	95°C
Minimum temperature	-4°C	-20°C	-20°C	-20°C
Weight (Kg)	50	55	55	120

PULSATION DAMPENER DP-20 FOR JP-810 SERIES



MODEL DP-20 PP

Material: Alu
Connection: G ¾"
Air connection: Ø 6 mm
Maximum operating pressure: 8 bar
For pump model: JP-810.8 PP
 JP-810.20 PP
 JP-810.35 PP
Weight: 0.6 kg
Dimension: 119 x 143 mm
Maximum operating temperature: 65°C



MODEL DP-20 PVDF

Material: PVDF
Connection: G ¾"
Air connection: Ø 6 mm
Maximum operating pressure: 8 bar
For pump model: JP-810.8 PVDF
 JP-810.20 PVDF
 JP-810.35 PVDF
Weight: 0.7 kg
Dimension: 119 x 143 mm
Maximum operating temperature: 95°C



MODEL DP-20 POMc

Material: POMc
Connection: G ¾"
Air connection: Ø 6 mm
Maximum operating pressure: 8 bar
For pump model: JP-810.8 POMc
 JP-810.20 POMc
 JP-810.35 POMc
Weight: 0.65 kg
Dimension: 119 x 143 mm
Maximum operating temperature: 80°C



MODEL DP-20 SS

Material: SS
Connection: G ¾"
Air connection: Ø 6 mm
Maximum operating pressure: 8 bar
For pump model: JP-810.8
 JP-810.20
 JP-810.35
Weight: 1.9 kg
Dimension: 119 x 143 mm
Maximum operating temperature: 95°C

PULSATION DAMPENER DP-25 FOR JP-810 SERIES



MODEL DP-25 PP

Material: PP
Fluid connection: G 1"
Air connection: Ø 8 mm
Maximum operating pressure: 8 bar
For pump model: JP-810.55 PP
 JP-810.70 PP
 JP-810.110 PP
 JP-810.111 PP
Weight: 1.6 kg
Dimension: 181 x 195 mm
Maximum operating temperature: 65°C



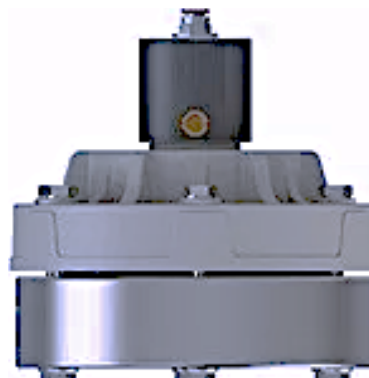
MODEL DP-25 PVDF

Material: PVDF
Fluid connection: G 1"
Air connection: Ø 7 mm
Maximum operating pressure: 8 bar
For pump model: JP-810.55 PVDF
 JP-810.70 PVDF
 JP-810.110 PVDF
 JP-810.111 PVDF
Weight: 2 kg
Dimension: 181 x 195 mm
Maximum operating temperature: 95°C



MODEL DP-25 POMc

Material: POMc
Fluid connection: G 1"
Air connection: Ø 8 mm
Maximum operating pressure: 8 bar
For pump model: JP-810.55 POMc
 JP-810.70 POMc
 JP-810.110 POMc
 JP-810.111 PVDF
Weight: 1.9 kg
Dimension: 181 x 195 mm
Maximum operating temperature: 80°C



MODEL DP-25 SS

Material: SS
Fluid connection: G 1"
Air connection: Ø 8 mm
Maximum operating pressure: 8 bar
For pump model: JP-810.55 SS
 JP-810.70 SS
 JP-810.110 SS
 JP-810.111 PVDF
Weight: 6.5 kg
Dimension: 181 x 182 mm
Maximum operating temperature: 95°C

PULSATION DAMPENER DP-40 FOR JP-810 SERIES



MODEL DP-40 PP

Material: PP
Fluid connection: G 1½"
Air connection: Ø 10 mm
Maximum operating pressure: 8 bar
For pump model: JP-810.170 PP
 JP-810.250 PP
 JP-810.400 PP
Weight: 3.8 kg
Dimension: 233 x 270 mm
Maximum operating temperature: 65°C



MODEL DP-40 PVDF

Material: PVDF
Fluid connection: G 1½"
Air connection: Ø 10 mm
Maximum operating pressure: 8 bar
For pump model: JP-810.170 PVDF
 JP-810.250 PVDF
 JP-810.400 PVDF
Weight: 4 kg
Dimension: 233 x 270 mm
Maximum operating temperature: 95°C



MODEL DP-40 POMc

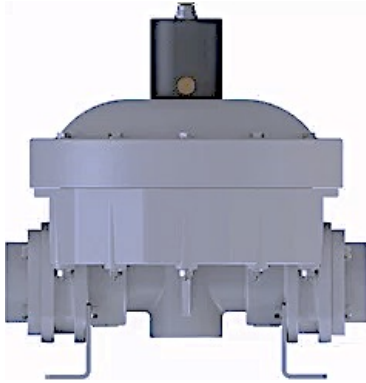
Material: POMc
Fluid connection: G 1½"
Air connection: Ø 10 mm
Maximum operating pressure: 8 bar
For pump model: JP-810.170 ALU
 JP-810.250 ALU
 JP-810.400 ALU
Weight: 3.9 kg
Dimension: 233 x 270 mm
Maximum operating temperature: 80°C



MODEL DP-40 SS

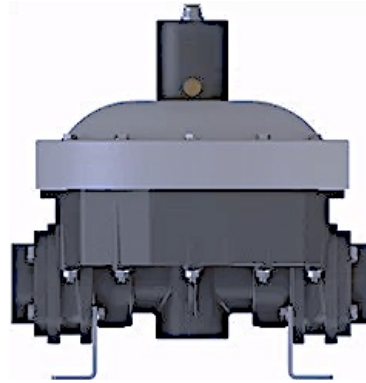
Material: SS
Fluid connection: G 1½"
Air connection: Ø 10 mm
Maximum operating pressure: 8 bar
For pump model: JP-810.170 SS
 JP-810.250 SS
 JP-810.400 SS
Weight: 5.9 kg
Dimension: 233 x 275 mm
Maximum operating temperature: 95°C

PULSATION DAMPENER DP-50 FOR JP-810 SERIES



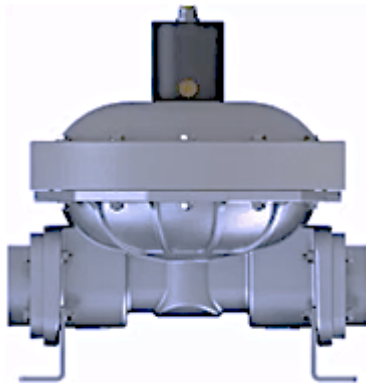
MODEL DP-50 PP

Material: PP
Fluid connection: G 2"
Air connection: Ø 12 mm
Maximum operating pressure: 8 bar
For pump model: JP-810.550 PP
 JP-810.700 PP
 JP-810.1050 PP
Weight: 13.7 kg
Dimension: 404 x 420 mm
Maximum operating temperature: 65°C



MODEL DP-50 PVDF

Material: PVDF
Fluid connection: G 2"
Air connection: Ø 12 mm
Maximum operating pressure: 8 bar
For pump model: JP-810.550 PVDF
 JP-810.700 PVDF
 JP-810.1050 PVDF
Weight: 17 kg
Dimension: 404 x 420 mm
Maximum operating temperature: 95°C



MODEL DP-50 ALU

Material: ALU
Fluid connection: G 2"
Air connection: Ø 12 mm
Maximum operating pressure: 8 bar
For pump model: JP-810.550 ALU
 JP-810.7000 ALU
 JP-810.1050 ALU
Weight: 14.3 kg
Dimension: 404 x 420 mm
Maximum operating temperature: 90°C



MODEL DP-50 SS

Material: SS
Fluid connection: G 2"
Air connection: Ø 12 mm
Maximum operating pressure: 8 bar
For pump model: JP-810.550 SS
 JP-810.700 SS
 JP-810.1050 SS
Weight: 21.6 kg
Dimension: 350 x 418 mm
Maximum operating temperature: 95°C